

## GMX200 Compact Weather Station

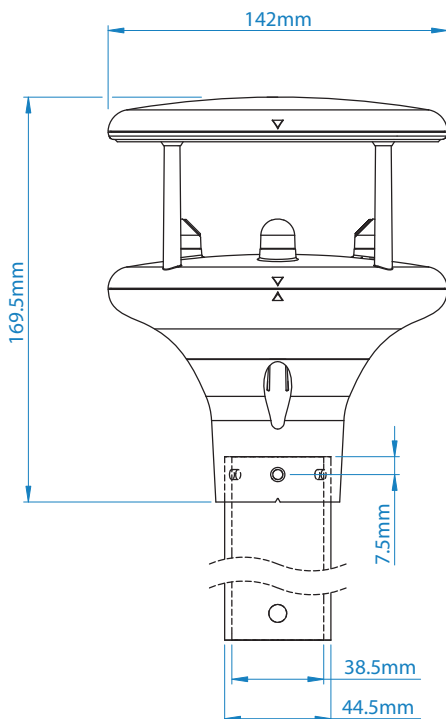
The MaxiMet range of compact weather stations is designed and manufactured by Gill Instruments. MaxiMet products use reliable, high quality instruments to provide accurate meteorological information in a wide variety of applications.

### GMX200 Features

**Wind.** Wind speed and direction measurements are provided via an ultrasonic sensor and the addition of an electronic compass provides apparent wind measurements. Average speed and direction together with WMO averages and gust data is also provided. Add GPS (optional) to provide true wind and other features.



WIND	GPS (OPTION)	PARAMETERS
<ul style="list-style-type: none"> <li>Wind speed &amp; direction</li> <li>Apparent and true wind (with GPS)</li> <li>WMO wind averages and gust</li> <li>Compass</li> <li>GPS (optional) gives height above sea level, latitude and longitude</li> </ul>	<ul style="list-style-type: none"> <li>Height above sea level <i>m</i></li> <li>Sunrise/sunset</li> <li>Position of the sun</li> <li>Twilight</li> <li>MSL pressure</li> </ul>	<ul style="list-style-type: none"> <li>Wind speed <i>m/s, km/hr, mph, kts, ft/min</i></li> <li>Wind direction °</li> <li>True/apparent wind</li> <li>Outputs <i>RS232, 422, 485 (ASCII), SDI-12, NMEA, MODBUS, Analogue (option)</i></li> </ul>



### All MaxiMet Models Feature

- Quality Measurements
- Lightweight and Robust
- Low Power Mode
- Free of Charge Software
- Gill Proven Reliability
- Compact Integrated Design
- Real Time Output
- Easy Installation
- Gill Customer Support
- 2 Year Warranty

## Applications

- Building and Industrial Controls
- Authorities
- Transport
- Coastal
- Agricultural
- Safety
- Educational
- Commercial
- Energy

WIND SPEED	
Range	0.1 m/s to 60 m/s
Accuracy	± 3% to 40 m/s, ± 5% to 60 m/s
Resolution m/s	0.01
Starting Speed	0.1 m/s
Sampling Rate	1 Hz
Units	m/s, km/hr, mph, kts, ft/min

WIND DIRECTION	
Range	0-359°
Accuracy	± 3° to 40 m/s ± 5° to 60 m/s
Resolution	1°
Sampling Rate	1 Hz
Units	Degrees

OUTPUTS	
Output rate	1/s, 1/min, 1/hr
Digital Comms Modes	Serial RS232, RS422, RS485, SDI-12, NMEA, MODBUS, ASCII
Analogue Outputs	Available via separate optional device

POWER	
Power Supply	5 to 30 Vdc
Power (Nominal) 12 Vdc	25 mA continuous high mode. 0.7 mA eco-power mode (1 hour polled)

ENVIRONMENTAL CONDITIONS	
IP Rating	66
Operational Temperature Range:	-40°C to +70°C
EMC Standard:	BS EN 61326 : 2013 FCC CFR47 parts 15.109
CE Marking	YES
RoHS compliant	YES
Weight	0.5 Kg
Origin	UK

Specifications may be subject to change without prior notice

# GILL

## Gill Instruments Limited

Saltmarsh Park, 67 Gosport Street  
Lymington, Hampshire SO41 9EG  
United Kingdom

Tel: +44 (0) 1590 613 500  
Fax: +44 (0) 1590 613 501  
contact@gillinstruments.com



[gillinstruments.com](http://gillinstruments.com)

1957-004 Iss 2

Copyright © Gill Instruments 2015

Gill Instruments Limited, Reg No. 2281574  
Registered Office: The George Business Centre, Christchurch Road, New Milton, BH25 6QJ